

SIEMENS



Smart. Easy. Reliable.

Monitoring Relay 7UG0 and Timers 7PV0

Smart. Easy. Reliable.

The continuity of electrical power supply is very important especially for the industrial sector where a stoppage of process is extremely costly. Thus it is extremely important to take necessary action to prevent the faults in the system, however if the faults still occur, it is imperative that we take sufficient care to minimize the potential damage to life, equipment and property.

With 7UG0 monitoring relays & 7PV0 timers, Siemens offers a smart, reliable and economical solution to monitor and control motors and machines.

The 7UG0 monitoring relays provide protection for machines, plants and systems. These relays detect current and voltage faults early and initiate appropriate response to prevent any significant damage.

The monitoring relays enables shutdown of the affected section of the plant by means of a relay output and also raises an alarm. The monitoring relays have settable time delays to respond flexibly to short-term disturbances such as voltage dips or load variations. This avoids nuisance alarms and unplanned shutdowns, which enhances plant availability and profitability



7UG0 Monitoring Relays

Range:

- Line monitoring relays
- Voltage monitoring relays
- Residual current monitoring relays
- Current monitoring relays

Relay	MLFB	Ø	Phase failure protection	Imbalance protection	Phase reversal protection	Under voltage protection	Over voltage protection	Under freq. protection	Over freq. protection	Earth leakage protection	Under Current protection	Over Current protection
Line monitoring relay	7UG0 712	3Ø 3W	✓	✓	✓							
	7UG0 818	3Ø 3W / 3Ø 4W	✓	✓	✓	✓	✓	✓	✓			
Voltage Monitoring relay	7UG0 753	3Ø 3W	✓		✓	✓	✓					
Current monitoring relay	7UG0 82	1Ø 2W	✓	✓							✓	✓
	7UG0 83	1Ø 2W / 3Ø 3W / 3Ø 4W	✓	✓							✓	✓
Earth leakage relay	7UG0 84	1Ø 2W / 3Ø 3W / 3Ø 4W								✓		

Features:

- Monitoring of electrical parameters viz: Phase sequence, Phase imbalance, Phase Failure
- Protection from under / over current / voltage and unbalance / assymetry
- LCD display for 35mm width product
- Din rail mounting
- Compact dimensions


Benefits:

- Wide sensing range leads to fewer variants – Optimized inventories
- Durable and maintenance free product
- DIN rail mounting – Quick & Easy Installation
- Entire range is covered in only two sizes giving uniformity and better aesthetics
- Reliable protection from voltage and leakage current
- RoHS compliant



Standards and approbations:

The 7UG0 range conforms to IEC 60947-4-1 & IEC60947-5-1.

They also carry  mark

Applications:

The 7UG0 ranges of monitoring relays are suitable for variety of applications.

These relays can be used for monitoring of balanced and unbalanced supplies in AMF panels, PCCs, Distribution boards and for monitoring of individual Motors / Pumps.

They provide reliable protection of motors from hazards like single phasing; phase reversal and system unbalance. They also safeguard the machine / motor from the system stress viz: under and over voltages, residual current etc.

These relays find application across Industries in wide range of machine and tools.



Air conditioning & compressors



Lifts
Passenger transport



Transportable systems



Automotive industry



Lighting control



Plastics processing machines



Building systems



Food & Beverages

Line monitoring relay:

Line monitoring relays are suitable for monitoring of incoming 3phase 3wire and 3phase 4wire supply. These relays are capable of monitoring Phase imbalance, Phase reversal, Phase failure and Frequency variations. The relays are independent of load and can be used for any ratings. They can be used in all the applications where the monitoring of mains supply is essential like AMF/Transfer switch panels, air conditioning control panels, Pump control panels, lifts / hoists control panels etc.

Voltage monitoring relay:

Voltage monitoring relays are suitable for monitoring of balanced or unbalanced 3phase 3wire supplies. These relays find applications where, even a dip or a long surge in the system is harmful and can damage the equipment associated to it. These relays can be used in all electrical systems for e.g. loads powered by Generators, UPS, stabilizers, Inverters or by Electricity boards; in AMF panels, PCCs, MCCs & for monitoring of individual loads/motors/ pumps etc.

Earth leakage relay:

Earth leakage relay are used to protect electrical system from fire and other electrical hazards. The unit consists of two parts: Basic relay & core balance current transformer (CBCT) CBCT is a used to sense the leakage current of the electrical System. The secondary of the CBCT is wired to the basic relay If earth leakage current exceeds than the set value, the electromagnetic relay is energized which can be used for tripping MCCB / OCB / ACB or any other device.

Current monitoring relay:

Current monitoring relays are suitable for monitoring of balanced or unbalanced 3phase and single phase loads. These relays find applications where the load fluctuations are frequent and if not acted upon at appropriate time can damage the equipment associated to it. These relays can be used in all electrical systems for e.g. loads powered by Generators, Pumps, Conveyors, AMF panels & for monitoring of individual loads/motors etc.



Monitoring Relays: Technical data

		Line monitoring relay		Voltage monitoring relay	Current monitoring relay	Earth Leakage monitoring relay		
			7UG0712-1AA20	7UG0818-1CA20	7UG0753-1AA20	7UG0 821-1AB20, 7UG0 822-1AD20 & 7UG0 831-1AB20, 7UG0 832-1AD20	7UG0841-1CB20 & 7UG0842-1CD20	
Main Circuit	Rated Insulation Voltage [Ui]	Ui (V) AC	480	500	480	300	300	
	Rated system supply voltage [Ue]	Ue (V) AC	415			230/240 for 7UG082.. 415 for 7UG083..		
	Operating band	V / I	154 - 480V (L-L)	280 - 500V AC (L-L) 160 - 288V AC (L-N)	310 - 480V AC (L-L)	1A - 999A AC (with External CT)	10mA - 30A	
	Rated Control supply (Aux. voltage)	V	Built-in			110 / 230 V AC ±15%	110 & 240 V AC +/- 15%	
	Rated Impulse Withstand Voltage [Uimp] (For Overvoltage Category II)	kV	2.5	4	2.5	2.5	2.5	
	Rated Frequency	Hz	50/60					
	Pollution Degree For PCB For Product		2 3					
Current/ Voltage Range	Measuring range (RMS value)	V / A	154 - 480 V AC	10 - 500 V AC (L-L) 10 - 288 V AC (L-N)	310 - 480 V AC	0--1.19 kA	4mA - 30A	
	Setting range	V / A	fixed	280 - 500 V AC (L-L) 160 - 288 V AC (L-N)	310 - 480 V AC	Pri : 1A - 999A / 5A - 999A AC Sec : 1A/5A AC	10mA - 30A	
Response	Response time maximum	ms	200	<200ms	<200	<200ms	<30ms for >- 5x set value <50ms for>- 1x set value	
	Recovery time	ms	<300ms	0 -99.9 sec (Settable)	<300ms	< / = 300ms (On removal of fault)	0 -99.9 sec (Settable)	
	Accuracy	%	±3% of FS for Time	±5% of setting + 200ms ±1% of setting for Voltage ±0.3% of setting for Frequency	±5% of FS for Time ±1% of FS for Voltage	±1% of Setting ±2 Digit for Current ±5% of Setting + 200ms for time - Recovery Time, Trip Delay, Power ON Delay	±5% of setting + 100ms ±5% of setting for current	
	Power consumption	VA	22 VA	30VA max	22 VA	15VA	3VA max	
Endurance	Mech endurance operating cycles	(mio)	10	10	10	10	10	
	Elect endurance AC15:3A @ 250V AC (900 ops./hr)	(mio)	0.1	0.1	0.1	0.1	0.1	
	Ambient temperature (Operational)	° C	0 to 50	0 to 50	0 to 50	0 to 50	0 to 50	
	Ambient temperature (storage)	° C	-20 to +70	-20 to +70	-20 to +70	-20 to +70	-20 to +70	
	Screw tightening torque	NM	0.6	0.5	0.6	0.5	0.5	
	Conductor cross section (Solid)	Sq mm	1 x (0.75 to 2.5) 2 x 0.5 to 2x 1.5	1 x (0.75 to 2.5) 2 x 0.5 to 2x 1.5	1 x (0.75 to 2.5) 2 x 0.5 to 2x 1.5	1 x (0.75 to 2.5) 2 x 0.5 to 2x1.5	1 x (0.75 to 2.5) 2 x 0.5 to 2x 1.5	
	Conductor cross section fine stranded with end sleeve	Sq mm	2 x (0.5 to 1.5) 1 x (0.5 to 2.5)	2 x (0.5 to 1.5) 1 x (0.5 to 2.5)	2 x (0.5 to 1.5) 1 x (0.5 to 2.5)	1 x (0.5 to 2.5) 2 x (0.5 to 1.5)	2 x (0.5 to 1.5) 1 x (0.5 to 2.5)	
	Degree of protection of Device		IP20	IP20	IP20	IP20	IP20	

			Line monitoring relay		Voltage monitoring relay	Current monitoring relay	Earth Leakage monitoring relay	
Network	Protection (AC network)	1 Ø - 2W	–	–	–	√	√	
		3 Ø, 3 W	√	√selectable	√	√	√	
		3 Ø, 4 W		√selectable		√	√	
Features	Pre-warning	A				–	Y(50-100%)	
	CBCT error	A				–	√	
	Earth Leakage trip setting	A				–	10mA--30A	
	Phase failure	V	√	√	√	–		
	Phase reversal	V	√	√	√	–		
	Phase imbalance / Current Assymetry	V / I	30V fixed	5 - 99.9%	-	√		
	Under voltage/ Under current protection	V / A		280-500 V _{L-L} for 3 Ø, 3 W 160-288 V _{L-N} for 3 Ø, 4 W	310 - 405V	0--999A		
	Over voltage/ Over current protection	V / A		280-500 V _{L-L} for 3 Ø, 3 W 160-288 V _{L-N} for 3 Ø, 4 W	425 - 480V	0.5A---1.19KA		
	Under freq protection	Hz		45 - 65		–		
	Over freq protection	Hz		45 - 65		–		
Reset	Auto/ Manual / Remote		A	A/M	A	A / M	A/M/R	
Delay	Hysteresis	V / A	6V	1 - 99 for V 0.2 - 2 for Hz 2 - 2-% for Asymmetry	2V	0.1--99.9A	5 - 40 % of set value	
	Power on delay	s	200 ms	2 - 99.9s	400ms	0.5--99.9s	0.5 - 99.9s	
	Trip time delay	s	Fixed	0 - 99.9s	0.2 - 10	0--99.9s	0 - 99.9s	
	Recovery time setting	s		0 - 99.9s		0--99.9s	0 - 99.9s	
Output	Max current (I _{th})		5A			5A		
	Contacts @ AC 15, 250VAC	1C/O	3A / 250V		3A / 250V	3A / 250V		
	Contact s @ AC 15, 250VAC	2x 1C/O		3A / 250V			3A / 250V	
	Contacts @ AC 12, 250VAC	1C/O	5A / 250V		5A / 250V	5A / 250V		
	Contact s @ AC 12, 250VAC	2x 1C/O		5A / 250V			5A / 250V	
	Terminal Connections					Screw		
	Display		Green LED on: Power ON Green LED off: Fault indication	"ON" LED: Power ON "R1" LED: Fault in Relay 1 "R2" LED: Fault in Relay 2 LCD: Parameters & Fault type	Green LED on: Relay ON Red LED on: Power ON	LED "ON": Power on "R1" LED: Fault in relay LCD : LCD: Parameters & fault type	"ON" LED: Power ON "R1" LED: Fault in Relay 1 "R2" LED: Fault in Relay 2 LCD: Parameters & Fault type	
Dimensions	Width	mm	17.5	35	17.5	35	35	
	Depth	mm	60	70.5	60	71	70.5	
	Height	mm	90	90	90	90	90	
	Weight	g	62	135	62	135	207	
	Mounting Orientation		35mm DIN rail any					
Accessories			–	–	–	Additional Requirement: External CT, Class 0.5 : 1A/5A secondary	CBCT	
Certificates	Approbation		CE					
	Standard Compliance		IEC 60947-4-1 & IEC60947-5-1			IEC60947-5-1	IEC 60947-4-1 & IEC60947-5-1	

Selection and Ordering Data: Monitoring Relays



7UG0 712...



7UG0 818...



7UG0 753...



7UG0 84...



7UG0 99...

Type	Description	Contacts	Supply voltage	Width mm	Siemens MLFB
Line monitoring relay	Line monitoring relay, 3Ø-3W	1 C/O	Self powered	17.5	7UG0 712-1AA20
	Digital Line monitoring relay, 3Ø-3W, 3Ø-4W	2 C/O	Self powered	35	7UG0 818-1CA20
Voltage Monitoring relay	Voltage monitoring relay, 3Ø-3W	1 C/O	Self powered	17.5	7UG0 753-1AA20
Current Monitoring relay	Digital Current monitoring 1Ø-2W	1 C/O	110 V AC	35	7UG0 821-1AB20
	Digital Current monitoring 1Ø-2W	1 C/O	230 V AC	35	7UG0 822-1AD20
	Digital Current monitoring 1Ø-2W, 3Ø-3W, 3Ø-4W	1 C/O	110 V AC	35	7UG0 8311-AB20
	Digital Current monitoring 1Ø-2W, 3Ø-3W, 3Ø-4W	1 C/O	230 V AC	35	7UG0 832-1AD20
Earth leakage relay	Digital Earth Leakage Monitoring, 1Ø-2W, 3Ø-3W, 3Ø-4W	2 C/O	110 V AC	35	7UG0 841-1CB20
	Digital Earth Leakage Monitoring, 1Ø-2W, 3Ø-3W, 3Ø-4W	2 C/O	230 V AC	35	7UG0 842-1CD20
CBCT	Core Balance CT 35mm				7UG0 9-96
	Core Balance CT 70mm				7UG0 9-97
	Core Balance CT 120mm				7UG0 9-99

7PV0 Timing Relays:

Siemens offers 7PV0 electronic timers which meet the various control timing requirements of the industry. These timers comply with IEC 61812-1 & IEC 60947-5-1

Range:

ON delay: 06 different ranges - selectable

Control supply voltage options-

- Fixed 240 V AC

Time ranges –

- 0.1sec - 3 hrs

LED display



Multifunction: 5 functions

(ON delay, Interval, Cyclic equal on first, cyclic equal off first, Pulse output)

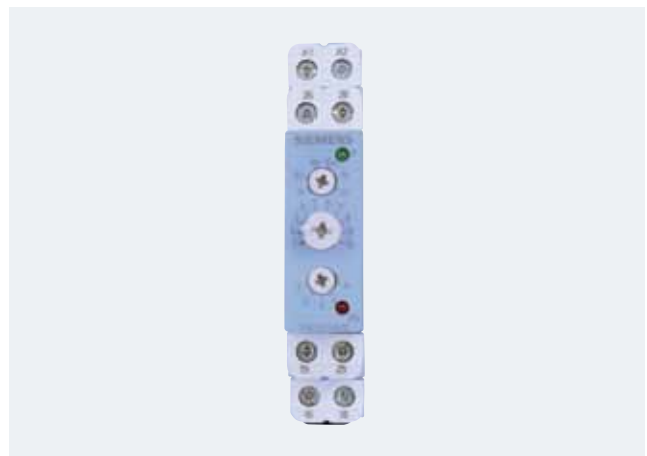
Control supply voltage options-

- Universal voltage 20 to 240V AC/DC

Time ranges –

- 0.1sec - 3 hrs (06 different ranges, Selectable)

LED display



Multifunction: 15 functions

(On delay (A), Interval (B), Asymmetrical cyclic OFF first (C), Asymmetrical cyclic ON first (D), Cyclic equal OFF first (E), Cyclic equal ON first (F), Pulse output (H), Delay on break (J), Delay on make / break (K), Interval after break (L), Single shot (P), Retrigger able Single shot (Q), Latching relay (R), Delay with Totalize (t), Interval with Totalize (U))

Control supply voltage options-

- Universal voltage 20 to 240V AC/DC

Time ranges –

- 0.1sec - 999 hrs

LCD display



Benefits:

- Space saving due to narrow width of 17.5mm
- High accuracy: Repeat accuracy < 1% & Setting accuracy < 5%
- Clear visual status indication through 2 separate LEDs both for actuation of control supply and the change over status
- High level of Electromagnetic compatibility (EMC) i.e. maximum immunity to interferences.
- Wide sensing range
- RoHS compliant



Standards and approbations:

- The 7PV0 range conforms to IEC 61812-1 & IEC 60947-5-1

Applications:

- 7PV0 electronic timers can be used for all delayed switching applications in control, starting and protection circuits. They are ideal for use in application like machine tools, material handling, process control and motor control.



Timing Relays: Technical data

			On delay	Multi-function (05 functions)	Multi-function (15 functions)
			7PV0712-1AD20	7PV0722-1BV20	7PV0732-1AV20
Main Circuit	Rated Insulation Voltage [Ui]	Ui (V) AC	300		
	Control voltage (Aux. voltage)	V	240V AC	20--240V AC/DC	20--240V AC/DC
	Control voltage tolerance		-15% to +10%	-15% to +10%	-15% to +10%
	Rated Impulse Withstand Voltage [Uimp] (For Overvoltage Category II)	KV	2.5		
	Rated Frequency	Hz	50/60		
	Pollution Degree For PCB For Product		2 3		
Response	Setting accuracy	%	±5% of full scale	±5% of full scale	± 0.5% of set time
	Repeat accuracy	%	±0.5%	±0.5%	± 0.1 %
	Recovery time	ms	<100	<100	<100
	Power consumption	VA	4VA	4VA	4VA
Endurance	Mech endurance operating cycles	(mio)	10	10	10
	Elect endurance AC15: 3A @ 250V AC (900 ops./hr)	(mio)	0.1	0.1	0.1
	Ambient temperature (Operational)	° C	0 to 50	0 to 50	0 to 50
	Ambient temperature (storage)	° C	-20 to +70	-20 to +70	-20 to +70
	Screw tightening torque	Nm	0.6	0.6	0.6
	Conductor cross section (Solid)	Sq mm	1 x (0.75 to 2.5) 2 x 0.5 to 2x 1.5	1 x (0.75 to 2.5) 2 x 0.5 to 2x 1.5	1 x (0.75 to 2.5) 2 x 0.5 to 2x 1.5
	Conductor cross section fine stranded with end sleeves	Sq mm Sq mm	2 x (0.5 to 1.5) 1 x (0.5 to 2.5)	2 x (0.5 to 1.5) 1 x (0.5 to 2.5)	2 x (0.5 to 1.5) 1 x (0.5 to 2.5)
	Degree of protection of device		IP20	IP20	IP20
Timing		s	0.1 sec to 3 hrs (06 time ranges)	0.1 sec to 3 hrs (06 time ranges)	0.1 sec to 999 hrs
Function			On delay	On delay (A) Interval (B) Cyclic equal OFF first (C) Cyclic equal ON first (Ci) Pulse output (D)	15 functions On delay (A) Interval (B) Asymmetrical cyclic OFF first (C) Asymmetrical cyclic ON first (D) Cyclic equal OFF first (E) Cyclic equal ON first (F) Pulse output (H) Delay on break (J) Delay on make / break (K) Interval after break (L) Single Shot (P) Retriggerable Single Shot (Q) Latching Relay (R) Delay on break with Totalise (T) Interval with Totalise (U)

			On delay	Multi-function (05 functions)	Multi-function (15 functions)
Output	Max current (Ith)		5A		
	Contacts @ AC 15, 250VAC	1C/O	3A / 250V		3A / 250V
	Contact s @ AC 15, 250VAC	2x 1C/O		3A / 250V	
	Contacts @ AC 12, 250VAC	1C/O	5A / 250V		5A / 250V
	Contact s @ AC 12, 250VAC	2x 1C/O		5A / 250V	
	Pause time				
	Terminal Connections				
	Screw		M3		
Display		Red LED:Power ON, Green LED:Rel ON	Red LED:Power ON, Green LED:Rel ON	LCD	
Dimensions	Width	mm	17.5	17.5	17.5
	Depth	mm	60	60	60
	Height	mm	90	90	90
	Weight	g	61	68	69
	Mounting		35mm DIN rail		
	Orientation		any		
Standards	Compliance		IEC 61812-1 & IEC 60947-5-1		

Selection and ordering data: Timing relays



7PV0 712...



7PV0 722...

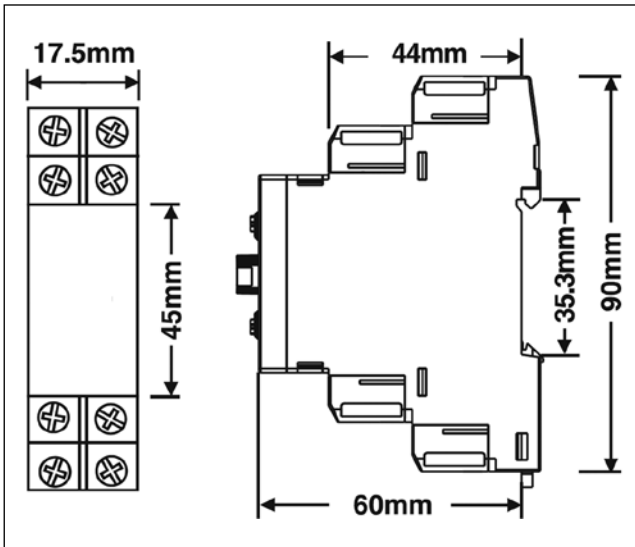


7PV0 732...

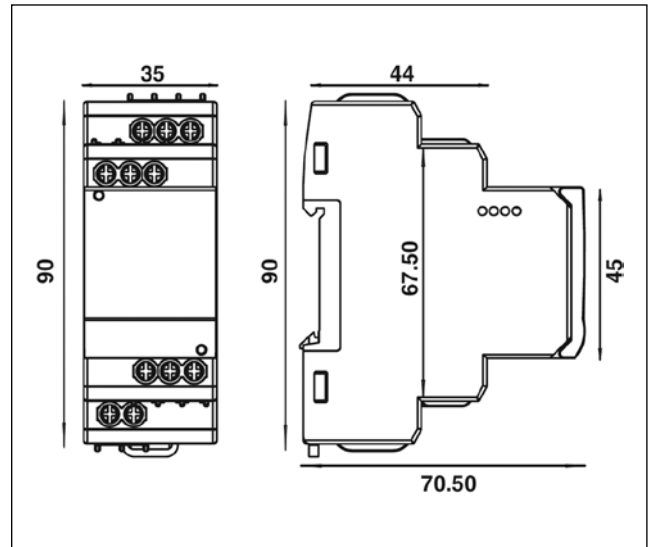
Timer	Description	Contacts	Supply Voltage	Width mm	MLFB
ON Delay	ON Delay, 06 Time Ranges	1 C/O	240V AC	17.5	7PV0 712-1AD20
Multifunction	Multifunction – 5 Functions, 06 Time Ranges	2 C/O	20 - 240V AC / DC		7PV0 722-1BV20
	Multifunction – 15 Functions, 8 Time Ranges	1 C/O	20 - 240V AC / DC		7PV0 732-1AV20

Dimensional drawings: Monitoring relays

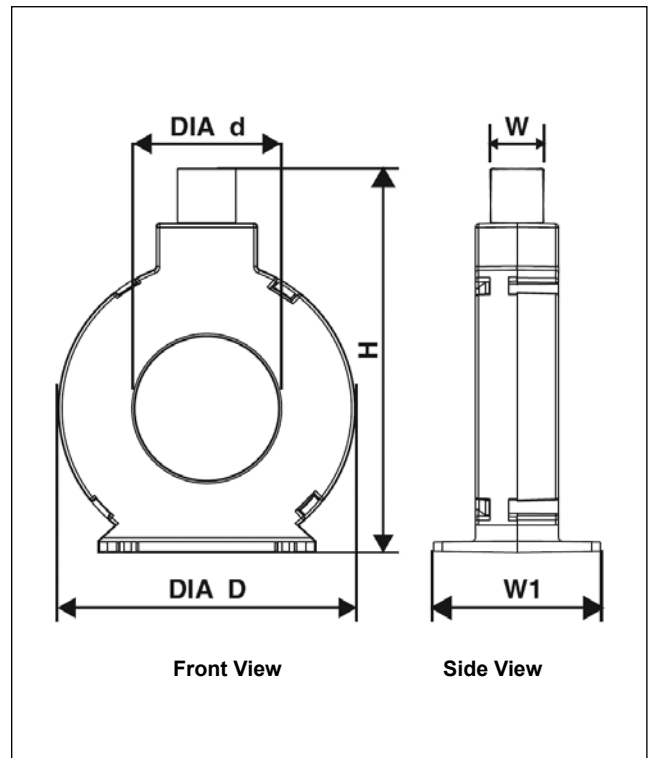
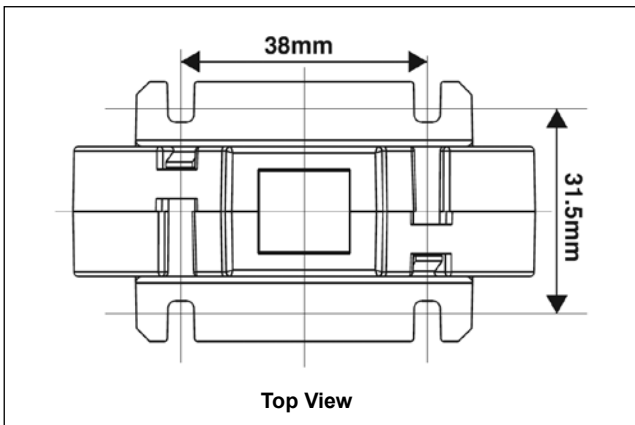
7UG0 7...



7UG0 8...



7UG0 9... (CBCT)



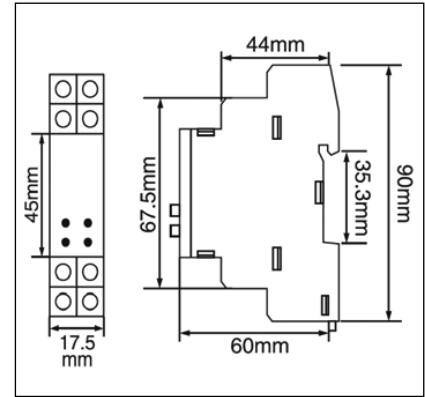
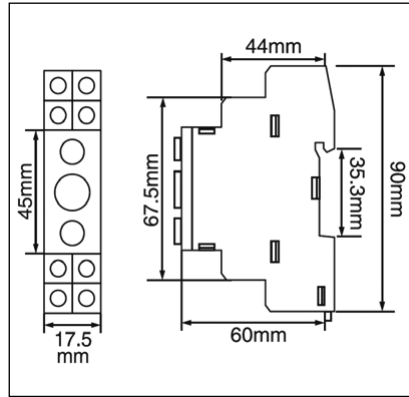
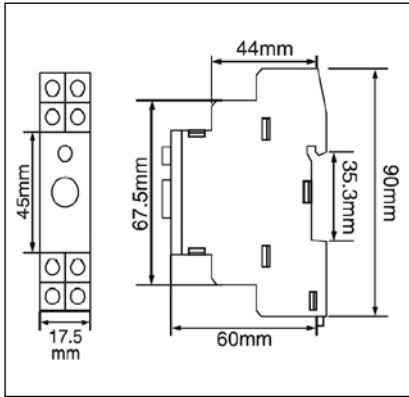
CBCT TYPE	Dimensions (mm)				
	D	d	H	W	W1
7UG0996	70	35	96	10	40
7UG0997	107	70	131	10	40
7UG0999	157	120	184	10	40
STD.TOL.	2 - 3	5 - 6	-	1.5 - 2	-

Dimensional drawings: Timing relays

7PV0 712...

7PV0 722...

7PV0 732...



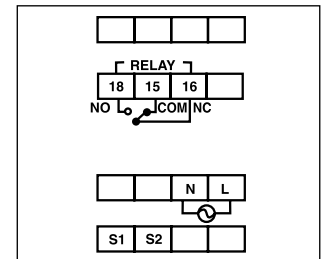
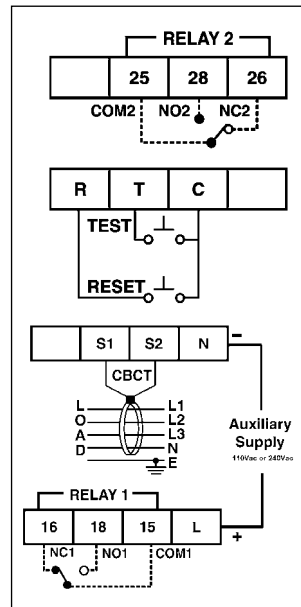
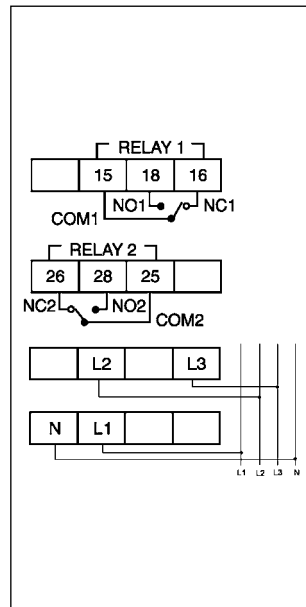
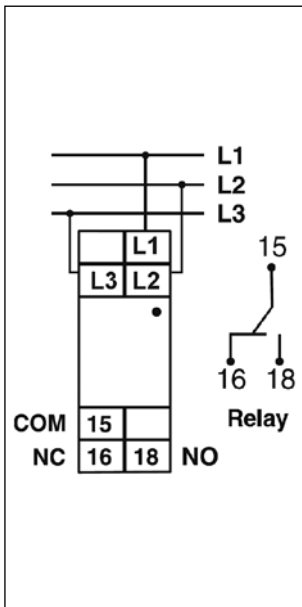
Terminal Connections:

7UG0 71, 7UG0 75...

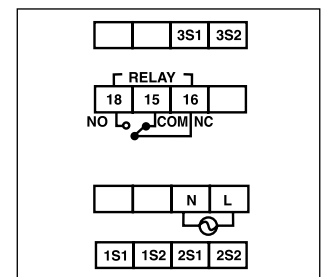
7UG0 818...

7UG0 84...

7UG0 82



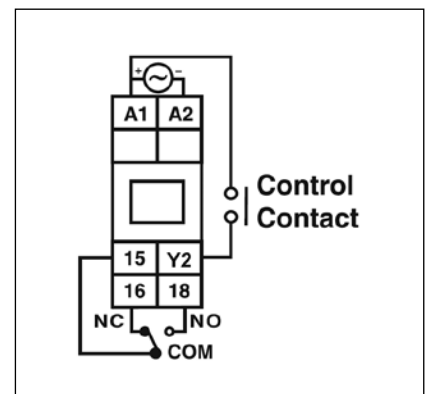
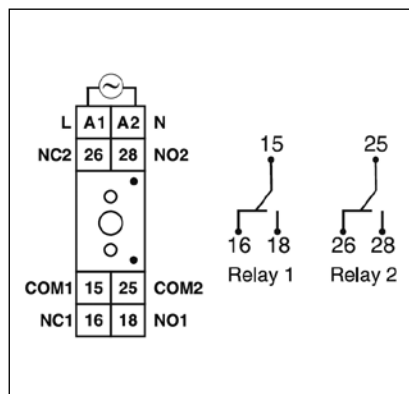
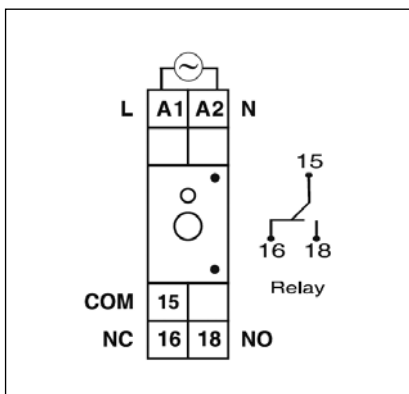
7UG0 83



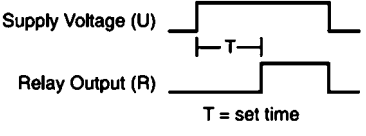
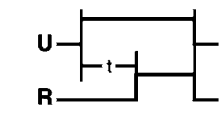
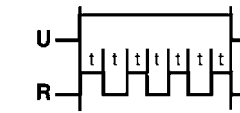
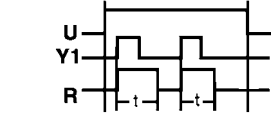
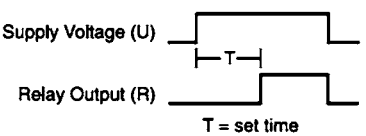
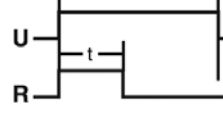
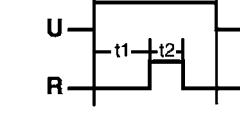
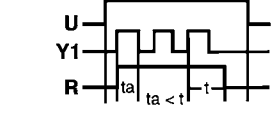
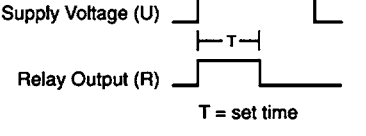
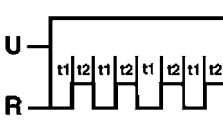
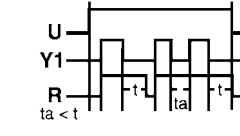
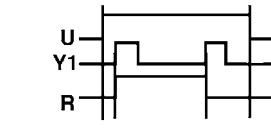
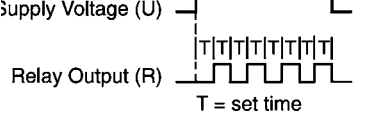
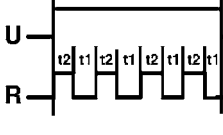
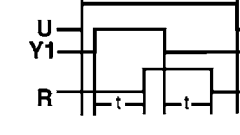
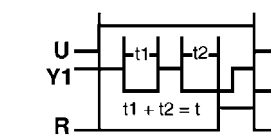
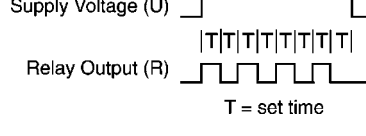
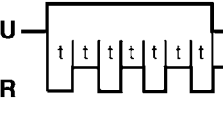
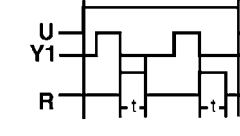
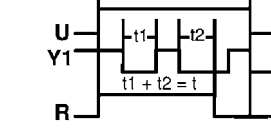
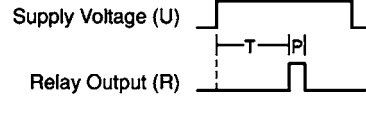
7PV0 712...

7PV0 722...

7PV0 732...



Timing diagram:

7PV0 712-1AD20	7PV0 732-1AV20		
<p>ON delay</p>  <p>T = set time</p>	<p>A. ON delay</p> 	<p>F. Cycle equal (ON 1st)</p> 	<p>P. Single Shot</p> 
<p>7PV0 722-1BV20</p> <p>A. ON Delay</p>  <p>T = set time</p>	<p>B. Interval</p> 	<p>H. Pulse output</p> 	<p>Q. Retriggerable Single shot</p> 
<p>B. Interval</p>  <p>T = set time</p>	<p>C. Asym. cyclic (OFF 1st)</p> 	<p>J. Delay on Break</p> 	<p>R. Latching Relay</p> 
<p>C. Repeat cycle equal (OFF 1st)</p>  <p>T = set time</p>	<p>D. Asym. cyclic (ON 1st)</p> 	<p>K. Delay on Make/Break</p> 	<p>T. Delay on break with Totalise</p> 
<p>Ci. Repeat cycle equal (ON 1st)</p>  <p>T = set time</p>	<p>E. Cycle Equal (OFF 1st)</p> 	<p>L. Interval after Break</p> 	<p>U. Interval with Totalise</p> 
<p>t = set time delay , t1 = off time , t2 = on time</p>			
<p>D. Pulse Output</p>  <p>P = 500 msec ; T = set time</p>			

Your partners

Sales offices:

Ahmedabad

3rd Floor, Prerna Arbour
Girish Coldrinks Cross Roads
Navrangpura
Ahmedabad - 380 009
☎ : +91 79 30927600
Fax: +91 79 30927699

Baroda

Ground Floor, Urja Bhavan
Opp. Makarpura Railway Station
Maneja
Vadodara - 390 013
☎ : +91 265 3957701
Fax: +91 265 3039190

Bengaluru

1st Floor, Jyoti Mahal
No. 49, St. Marks Road
Bengaluru - 560 001
☎ : +91 80 33422000
Fax: +91 80 33424131

Chandigarh

SCO 188/191, 3rd Floor, Sector-17 C
Chandigarh - 160 017
☎ : +91 172 4690300
Fax: +91 172 4690399

Chennai

Sathak Centre, No.4, Mahatma Gandhi Road
Chennai - 600034
☎ : +91 44 30474000
Fax: +91 44 30474088

Coimbatore

1st Floor, "Senthil Towers"
107B, Avinashi Road
Coimbatore - 641018
☎ : +91 422 3076300
Fax: +91 422 3076310

Gurgaon

Plot No -78, Tower -B
Jagatjit Industries Building (JIL)
Opposite SBI Academy, Sector-18
Gurgaon - 122015
☎ : +91 124 2842000, 3810200

Hyderabad

5-9-19, 4th & 5th Floor
Laxmi Narasinh Estate
Opp. Secretariat Road
Saifabad
Hyderabad - 500 004
☎ : +91 40 30922500
Fax: +91 40 30923145

Jaipur

6, Park Street
Opp. Pink City Petrol Pump
M.I. Road
Jaipur - 302 006, Rajasthan
☎ : +91 141 5152108
Fax: +91 141 2370482

Jamshedpur

"Roshan Tower"
Main Road, Bistupur (2nd Floor)
Jamshedpur - 831001

Kolkata

5th Floor, Infinium Digispace
CP - 15, Sector V, Salt Lake
Kolkata - 700091
☎ : +91 33 30171911
Fax: +91 33 30171328

Lucknow

28/45, Ashok Marg
Opp. Indira Bhavan
Lucknow - 226001
☎ : +91 522 4031022, 4031000
Fax: +91 522 4031019

Mumbai

Business Centre-1
Thane Belapur Road
Thane - 400 601
☎ : +91 22 39663000
Fax: +91 22 39663721

Nagpur

5th Floor, Land Mark Building
Wardha Road, Ramdas Peth
Nagpur - 440 010
☎ : +91 712 3093000
Fax: +91 712 3093111

Pune

Tower B/701-705, ICC Trade Tower
403A, Senapati Bapat Road
Pune - 411016
☎ : +91 20 30466000
Fax: +91 20 30466006

Vishakhapatnam

2nd Floor, 30-8-47
Lakshmi Narasimha Towers
Banu Street, Daba Gardens
Visakhapatnam - 530 020
Andhra Pradesh
☎ : +91 891 3050200
Fax: +91 891 3050222

Territory managers:

Agra

3/14 PratapPura, Agra - 282001 UP
Mobile: +91 9793917504
E-mail: singh.gurvinder@siemens.com

Aurangabad

Flat No-603, Building A2
Disha Sanskriti Silkcity, Pathan Road
Aurangabad - 431001 (MH)
Mobile: +91 9926939993
E-mail: Prashant.Joshi@siemens.com

Belgaum

H.No.713, Narvekar Lane, Shahpur
Belgaum - 590003, Karnataka
Mobile: +91 0831 2495156, 9740277991
E-mail: anand.gawade@siemens.com

Belgaum

Flat No-7, 2nd Floor, Jyotirling Plaza
Congress Road, Thilakwadi
Belgaum - 590011, Karnataka
Mobile: +91 7259400100
E-mail: prathish.t.m@siemens.com

Bharuch

Gold B, 804, Samruddhi Residency
Opp. Zadeshwar Bus Stop, Zadeshwar Road
Bharuch - 392011
Mobile: +91 9429037805
E-mail: kalpeshkumar.darji@siemens.com

Bhilai

Flat No. M-203, Rishabh City Prime
Potia Kala, Durg - 490001 (CG)
Mobile: +91 7869922211
E-mail: pravin.deshbharrat@siemens.com

Bhopal

Flat No. 104, Sagar Home Phase-2
Sarvadhama Society, Sector A
Nayapura Road
Bhopal - 462042, Madhya Pradesh
Mobile: +91 9977228084
E-mail: prajwal.khapekar@siemens.com

Bhubaneswar

Plot No. 1597, Infront of Fishery Lane
Chintamaniswar, Bhubaneswar - 751006
Odisha
Mobile: +91 9937063598
E-mail: sumit.sengupta@siemens.com

Bhubaneswar

Baramunda Housing Colony
L-306, Near Saraswati Sishu Mandir
Bhubaneswar - 751003, Odisha
Mobile: +91 9583061766
E-mail: samuel.prasad@siemens.com

Bhubaneswar

House No. 05, Kananvihar, Phase - 2
P. O. Patia, Near Patia Idea Office
Bhubaneswar - 751031, Odisha
Mobile: +91 9937189624
E-mail: probir.mukherjee@siemens.com

Bhubaneswar

Archid Royal Apartment, Flat No. 302
Nageswar Tangi, Bhubaneswar - 751002
Odisha
Mobile: +91 9163442180
E-mail: pm.barik@siemens.com

Boisar

Flat No. 101, A Wing
Mahavir Shrishti Apartments
Near Madhur Hotel, Navapur Road
Boisar, Thane (W) - 401506
Mobile: +91 9819231892
E-mail: deashis.biswas@siemens.com

Cochin

K.G. Oxford Business Centre
3A, Shreekanth Rd., Ravipuram
Cochin - 682016
Mobile: +91 402861122, 9846006580
E-mail: girish.v_nair@siemens.com

Cochin

K.G. Oxford Business Centre
3A, Shreekanth Rd., Ravipuram
Cochin - 682016
Mobile: +91 9744511109
E-mail: nikhil.varghese@siemens.com

Dehradun

32, Dhronpuri, Main lane, G.M.S. Road
Deharadun - 248001, Uttarakhand
Mobile: +91 8650404404
E-mail: shashibhushan.prasad@siemens.com

Durg

Anandvihar Phase-1, Plot No. 18
Bansi South, Durg - 491001, (CG)
Mobile: +91 9425016197
E-mail: jitendra.potdar@siemens.com

Durgapur

C/o Anjan Sadhu 3/36, A.K. Bithi, City Center
P.O. - Durgapur - 713216
Nearest Landmark - Bidisha Residential Comp.
Mobile: +91 8334977803
E-mail: saurav.bhowmik@siemens.com

Durgapur

CD -29/2, M.A.M.C., V.K. Nagar
Durgapur - 713210
Mobile: +91 9163336235
E-mail: partha.mukherjee@siemens.com

Goa

House No. S-2, Classeque Appartment
Porvorim, Goa - 403501
Mobile: +91 7722008113
E-mail: jithin.jacob@siemens.com

Guwahati

Siemens Ltd., House No. 20
Ushanagar, Dispur Supermarket
Guwahati, Assam - 781006
Mobile: +91 9864110684
E-mail: biplab.datta@siemens.com

Guwahati

Siemens Ltd., House No. 20
Ushanagar, Dispur Supermarket
Guwahati, Assam - 781006
Mobile: +91 8811094141
E-mail: sudipta.garnayak@siemens.com

Haridwar

P4/239, Deep Ganga Complex, Sector 5A
Sidcul, Haridwar - 249403, Uttarakhand
Mobile: +91 9621083333
E-mail: kumar.pradeep@siemens.com

Hospet

Ramanand Residency, Flat No. 204, 1st Main
Nehru Co-Op Colony, Hospet - 583203
Karnataka
Mobile: +91 9901400227
E-mail: roy.sanjib@siemens.com

Hospet

#727, Lakshmi Narasimha Nilaya
Near Surbhi Kalyana Mantapa
Amaravathi, Hospet - 583203
Mobile: +91 9741114877
E-mail: naveen.sn@siemens.com

Hosur

No. 78, 4th Cross, Thirupathi Majestic
Vishwanathapuram, Bagalur Road
Hosur - 635103, Tamil Nadu
Mobile: +91 8105554646
E-mail: dhayanthi.m@siemens.com

Hubli

#21, Sri Mallikarjuna Nilaya, 1st Floor
Somnagowdara Layout, Bengeri Extension
Hubli - 580023, Karnataka
Mobile: +91 836 2282947, 9880003724
E-mail: kr.purushtotam@siemens.com

Indore

GovindDham, 13 Ahilyapuri
Near Residency Club, Indore - 452001 (MP)
Mobile: +91 9977236899
E-mail: Raghendra.Bhadhouria@siemens.com

Indore

Flat No. 206, A Block, Shubh Labh Heights
Near Malvi Nagar Chouraha
(Nr. Velocity Multiplex), MR-9, Ring Road
Indore - 452001, Madhya Pradesh
Mobile: +91 9713013050
E-mail: rohit.seth@siemens.com

Jalandhar

House No. 722, 1st Floor, Urban Estate
Phase I, Jalandar - 144022, Punjab
Mobile: +91 9876047929
E-mail: sunil.singla@siemens.com

Jammu

H.No. #1A, Sector #1 Extension
Friends Colony, Near Marble Market
Trikuta Nagar Extension, Jammu - 190012
Mobile: +91 9888851497
E-mail: chander.parkash@siemens.com

Jodhpur

D-212, Near Sai Baba Mandir, Shankar Nagar
Pal Road, Jodhpur - 342007
Mobile: +91 766590333
E-mail: jain.nitin@siemens.com

Kanpur

Flat No. 607, Gulmohar Garden Phase I
Shastri Nagar, Kanpur - 208005, UP
Mobile: +91 9839102434
E-mail: shagun.gupta@siemens.com

Khopoli

Flat A 14, Dutta Krupa Housing Society
Upper Khopoli, Near Datta Mandir
Khopoli - 410203
Mobile: +91 9930171377
E-mail: vilas.bhosale@siemens.com

Kolhapur

RS No. 84-1, Pinac Prasad, FL No. A-35
New Palace Road, Kolhapur - 416006
Mobile: +91 9850836839
E-mail: vinay.todkar@siemens.com

Kota

306, Manglayatan Apartments
Near Jain Mandir, Bhimganj Mandi
Kota - 324002
Mobile: +91 9828419111
E-mail: avinash.mathur@siemens.com

Ludhiana

H.No. 92, Lajpat Nagar, Near Bus Stand
Ludhiana - 141002, Punjab
Mobile: +91 9815502480
E-mail: rohit.jagga@siemens.com

Ludhiana

H.No. D-29, New Kitchlu Nagar, Ludhiana
Mobile: +91 9878098612
E-mail: amitoti.singh@siemens.com

Ludhiana

R-115 Near DAV School
Sarabha Nagar Extension, Phase - 2
Pakhawal Road, Ludhiana, Punjab
Mobile: +91 9888484066
E-mail: padam.sharma@siemens.com

Madurai

Anirudh Block F-Top 3
Vasudhara Apartment
84, TPK Main Road, Andalapuram
Madurai - 625 003, Tamil Nadu
Mobile: +91 9849617776
E-mail: sivaprakasam.r@siemens.com

Mangalore

No. 3, Shreyas Apartment
Chandrika Extension, NS Bose Road
Bejai, Mangalore - 575004
Mobile: +91 963285364
E-mail: joseph.arun@siemens.com

Meerut

A-SF-14, Ansal Courtyard, Roorkee Bypass
Modipuram, Meerut - 250110, UP
Mobile: +91 9720999887
E-mail: singh.vineet@siemens.com

Mysore

#43, Ground Floor, 8th Cross
3rd Main, 1st Stage, "C" Block, J.P. Nagar
Mysore - 570008
Mobile: +91 9900855779
E-mail: niranjan.kv@siemens.com

Nashik

1, Nirman Classic Apartment
Thatthe Nagar, Behind HDFC Bank
Nashik - 422005
Mobile: +91 9822193204
E-mail: shailesh.bakshi@siemens.com

Nashik

Flat No. A-4203, Brindavan Gardens
Kedar Nagar, Shramik Nagar
Near Satpur MIDC, Nashik - 422012
Mobile: +91 9619620068
E-mail: jugal.shah@siemens.com

Panipat

H.No. 1452, First Floor, Near Police Chowmki
HUDA Housing Board, Sector 24, Panipat
Mobile: +91 9050068602
E-mail: amtinder.singh@siemens.com

Patna

Anubhuti Apartment, Flat No. 201
North Anandpuri, West Boring Canal Road
Patna - 800001
Mobile: +91 97714141108
E-mail: vikash.prasad@siemens.com

Pondicherry

No. 31, 4th Cross Street, Anna Nagar
Pondicherry - 605005
Mobile: +91 9840143536
E-mail: lakshmanan.s@siemens.com

Raipur

103 Risabh Regency
Near Shri Medishine Hospital
New Rajendra Nagar Raipur (CG) - 492006
Mobile: +91 9425601849
E-mail: raghuraj.bisen@siemens.com

Rajahmundry

Plot No. 401, SVR Residency
Door No: 77-2-29/3, Gandhipuram-3
Rajahmundry, Dist. East Godavari - 533106
Andhra Pradesh
Mobile: +91 9948664228
E-mail: naga.ganesna@siemens.com

Rajkot

"Vruraj", Chandanpark Society
Opp. Gyanganga Vidhyapith
Nr. Raiya Circle, Rajkot -360005, Gujarat
Mobile: +91 9825021026
E-mail: hiren.raythatha@siemens.com

Ranchi

Flat No. A-101, 1st Floor
Sundaram Apartment, Kilburn Colony
Hinoo, Ranchi, Jharkhand - 834002
Mobile: +91 8294052647
E-mail: shyamal.bhattacharyya@siemens.com

Renukoot

Mobile: +91 9889384222
E-mail: umesh.pandey@siemens.com

Siemens Ltd.

Digital Factory

Control Products

R&D Technology Centre

Kalwa Works, Thane Belapur Road

Thane - 400 601

Fax: +91 22 33265627

E-mail: lvsgr-mktg.india@siemens.com

www.siemens.co.in

Order No.: 106133729

DF-CP-0023

This replaces SGR-03PC-1113

Customer Care Toll free no.

180022 0987 / 1800 209 0987

Email: ics.india@siemens.com

Product upgradation is a continuous

process. Hence, data in this catalog is subject to change without prior notice. For the latest information, please get in touch with our Sales Offices.